



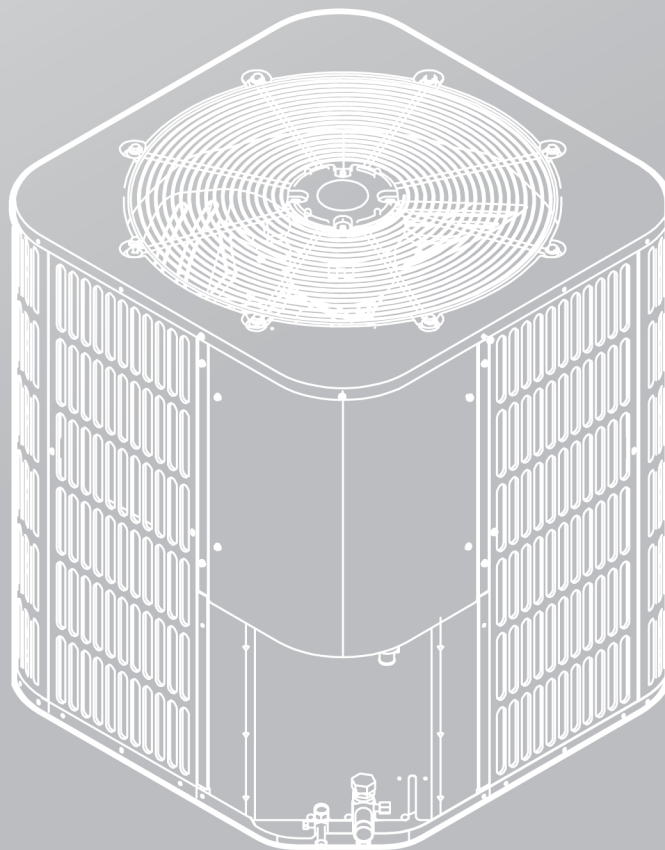
## D14 Central Air Condenser Series

Split System Air Conditioner

1.5-5 Tons

UP TO 15.2 SEER2

R410a



## INSTALLER'S GUIDE CONDENSING UNITS

Thank you very much for purchasing our product.

Before using your unit, please read this manual carefully and keep it for future reference.

The figure shown in this manual is for reference only and may be slightly different from the actual product.





## RECOGNIZE THIS SYMBOL AS AN INDICATION OF IMPORTANT SAFETY INFORMATION

### WARNING

These instructions are intended as an aid to qualified licensed service personnel for proper installation, adjustment and operation of this unit. Read these instructions thoroughly before attempting installation, or operation. Failure to follow these instructions may result in improper installation, adjustment, service, or maintenance possibly resulting in fire, electrical shock, property damage, personal injury, or death.

### WARNING

This appliance is not intended for use by persons (including children) with reduced physical, sensory or mental capabilities, or lack of experience and knowledge, unless they have been given supervision or instruction concerning use of the appliance by a person responsible for their safety. Children should be supervised to ensure that they do not play with the appliance. This unit is only used outdoor.

### WARNING

This product can expose you to chemicals including lead, which are known to the state of California to cause cancer and birth defects or other reproductive harm. For more information go to [www.p65Warnings.ca.gov](http://www.p65Warnings.ca.gov)

### NOTE

The manufacturer recommends installing only approved matched indoor and outdoor systems. All of the manufacturer's split systems are AHRI rated. Some of the benefits of installing approved matched indoor and outdoor split systems are maximum efficiency, optimum performance, and the best overall system reliability.

# CONTENTS

## 1 KEY TO SYMBOLS AND SAFETY INSTRUCTIONS

- 1.1 Key to Symbols..... 01
- 1.2 Safety ..... 01

## 2 UNIT LOCATION CONSIDERATIONS

- 2.1 Unit Dimensions ..... 02
- 2.2 Location Restrictions ..... 02

## 3 UNIT PREPARATION

- 3.1 Preinstallation ..... 03

## 4 SETTING UP THE UNIT

- 4.1 Pad Installation ..... 03

## 5 REFRIGERANT LINE CONSIDERATIONS

- 5.1 Service Valve Connection Sizes ..... 04
- 5.2 Refrigerant Line Sizes ..... 04
- 5.3 Refrigerant Piping Limits and Required Refrigerant Line Length ..... 04
- 5.4 Refrigerant Line Insulation ..... 04
- 5.5 Reuse Existing Refrigerant Lines ..... 05

## 6 REFRIGERANT LINE ROUTING

- 6.1 Precautions ..... 05

## 7 REFRIGERANT LINE BRAZING

- 7.1 Braze The Refrigerant Lines ..... 07



## **8 REFRIGERANT LINE LEAK CHECK**

- 8.1 Check for Leaks ..... 08

## **9 EVACUATION**

- 9.1 Evacuate the Refrigerant Lines and Indoor Coil ..... 08

## **10 SERVICE VALVES**

- 10.1 Open the Service Valves ..... 09

## **11 ELECTRICAL - LOW VOLTAGE**

- 11.1 Low Voltage Maximum Wire Length ..... 09
- 11.2 Low Voltage Hook-up Diagrams ..... 09

## **12 ELECTRICAL - HIGH VOLTAGE**

- 12.1 High Voltage Power Supply ..... 11
- 12.2 High Voltage Disconnect Switch ..... 11
- 12.3 High Voltage Ground ..... 11

## **13 START UP**

- 13.1 System Start Up ..... 12

## **14 SYSTEM CHARGE ADJUSTMENT**

- 14.1 Charging: Weigh-In Method ..... 12
- 14.2 Suction Line Pressure Charging and Refrigerant Adjustment In Cooling  
(Above 55°F Outdoor Temp.) ..... 13

## **15 SYSTEM OPERATION AND TROUBLESHOOTING**

- 15.1 Protection Function ..... 18
- 15.2 Two-stage compressor (61K AC only) ..... 18
- 15.3 Temperature Sensor Resistance Table ..... 18
- 15.4 Electrical Data Table ..... 19
- 15.5 Troubleshooting Table ..... 19
- 15.6 Fault Code Table ..... 20

## **16 WARRANTY**

- 16.1 Maintenance ..... 21
- 16.2 Removing and Installing The Cover Plate ..... 21
- 16.3 Changing Motor ..... 22

## **17 MATCHING TABLE AND CHECKOUT PROCEDURES**

- 17.1 Operational and Checkout Procedures ..... 22

# 1 KEY TO SYMBOLS AND SAFETY INSTRUCTIONS

## 1.1 Key to Symbols



Warnings in this document are identified by a warning triangle. Keywords at the start of a warning indicate the type and seriousness of the ensuing risks arising from failure to take measures.



This symbol indicates important information where there is no risk to people or property.

The following keywords are defined and can be used in this document:

**DANGER** indicates a hazardous situation which, if not avoided, will result in death or serious injury.

**WARNING** indicates a hazardous situation which, if not avoided, could result in death or serious injury.

**CAUTION** indicates a hazardous situation which, if not avoided, could result in minor to moderate injury.

**NOTICE** is used to address practices not related to personal injury.

## 1.2 Safety

Important - This document contains a wiring diagram and service information. This is customer property and is to remain with this unit. Please return to service information pack upon completion of work.

### CAUTION

This information is intended for use by individuals possessing adequate backgrounds of electrical and mechanical experience. Any attempt to repair a central air conditioning product may result in personal injury and/or property damage. The manufacturer or seller cannot be responsible for the interpretation of this information, nor can it assume any liability in connection with its use.

### WARNING

#### HAZARDOUS VOLTAGE!

Failure to follow this warning could result in property damage, severe personal injury or death. Disconnect all electric power, including remote disconnects before servicing. Follow proper lockout/tagout procedures to ensure the power cannot be inadvertently energized.

#### REFRIGERANT OIL!

Any attempt to repair a central air conditioning product may result in property damage, severe personal injury, or death.

These units use R-410A refrigerant which operates at 50% to 70% higher pressures than R-22. Use only R-410A approved service equipments. Refrigerant cylinders are painted a "Rose" color to indicate the type of refrigerant and may contain a "dip" tube to allow for charging of liquid refrigerant into the system. All R-410A systems use a POE oil (VG74 or equivalent) that readily absorbs moisture from the atmosphere. To limit this "hygroscopic" action, the system should remain sealed whenever possible. If a system has been open to the atmosphere for more than 4 hours, the compressor oil must be replaced. Never break a vacuum with air and always change the driers when opening the system for component replacement.

#### HIGH CURRENT LEAKAGE!

Failure to follow this warning could result in property damage, severe personal injury, or death. Earth connection is essential before connecting electrical supply.

#### SERVICE VALVES!

Failure to follow this warning will result in abrupt release of system charge and may result in personal injury and/or property damage. Extreme caution should be exercised when opening the Liquid Line Service valve. Turn valve stem counterclockwise only until the stem contacts the rolled edge. No torque is required.

#### BRAZING REQUIRED!

Failure to inspect lines or use proper service tools may result in equipment damage or personal injury. If using existing refrigerant lines make certain that all joints are brazed, not soldered.

### CAUTION

#### CONTAINS REFRIGERANT!

Failure to follow proper procedures can result in personal illness or injury or severe equipment damage. Systems contain oil and refrigerant under high pressure. Recover refrigerant to relieve pressure before opening a system.

#### GROUNDING REQUIRED!

Failure to inspect or use proper service tools may result in equipment damage or personal injury. Reconnect all grounding devices. All parts of this product that are capable of conducting electrical current are grounded. If grounding wires, screws, straps, clips, nuts, or washers used to complete a path to ground are removed for service, they must be returned to their original position and properly fastened.

#### HOT SURFACE!

May cause minor to severe burning. Failure to follow this caution could result in property damage or personal injury. Do not touch the top of the compressor.

## 2 UNIT LOCATION CONSIDERATIONS

### 2.1 Unit Dimensions

Unit Dimensions			
Model	H(inches)	W(inches)	L(inches)
18	24-15/16	23-5/8	23-5/8
24	24-15/16	28	28
30	33-3/16	28	28
36	24-15/16	29-1/8	29-1/8
42/48/60/61	33-3/16	29-1/8	29-1/8

Table 2-1

The unit's weight value is on the cardboard box.

When mounting the outdoor unit on a roof, be sure the roof will support the unit's weight. Properly selected isolation is recommended to prevent sound or vibration transmission to the building structure.

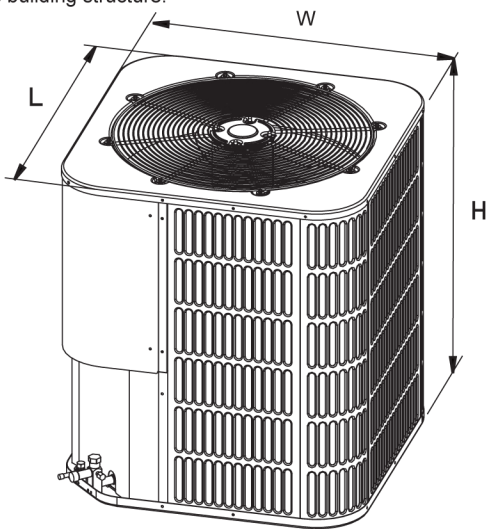


Figure 2-1

### 2.2 Location Restrictions

Ensure the top discharge area is unrestricted for at least 60 inches above the unit.

Do not locate outdoor unit near bedrooms since normal operational sounds may be objectionable.

Position unit to allow adequate space for unobstructed airflow, wiring, refrigerant lines, and serviceability.

Maintain a distance of 24 inches between units.

24 inches clearance must be provided in front of the control box (access panels) and any other side requiring service.

Position unit where water, snow or ice from roof or overhang cannot fall directly on unit.

Position the outdoor unit a minimum of 12" from any wall or surrounding shrubbery to ensure adequate airflow.

See Figure 2-2 and Figure 2-3

Cold climate considerations (heat pump only)

#### NOTE

Precautions must be taken for units being installed in areas where snow accumulation and prolonged below-freezing temperatures occur.

- Units should be elevated 3-12 inches above the pad or rooftop, depending on local weather. This additional height will allow drainage of snow and ice melted during defrost cycle prior to its refreezing. Ensure that drain holes in unit base pan are not obstructed, preventing drainage of defrost water (Fig. 2-4).
- If possible, avoid locations that are likely to accumulate snow drifts. If not possible, a snow drift barrier should be installed around the unit to prevent a build-up of snow on the sides of the unit.

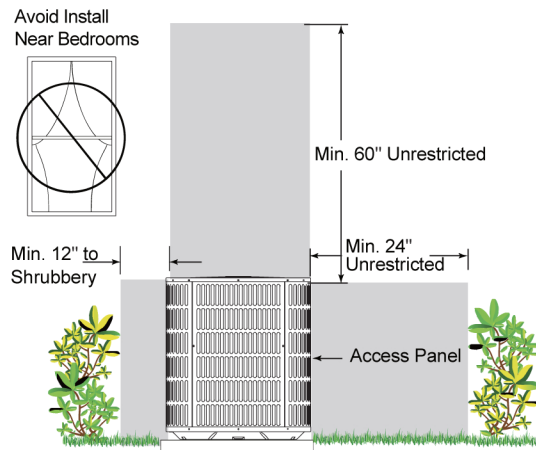


Figure 2-2

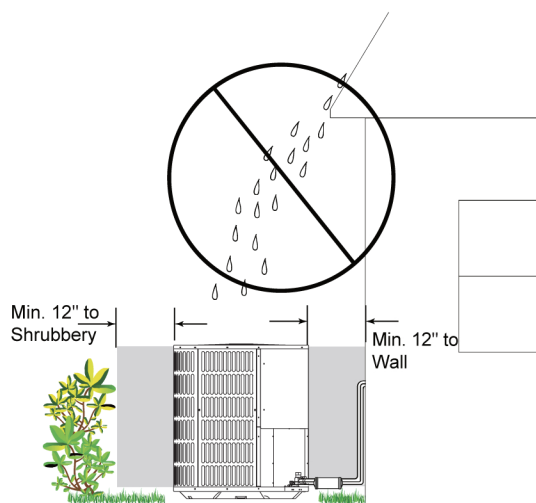


Figure 2-3

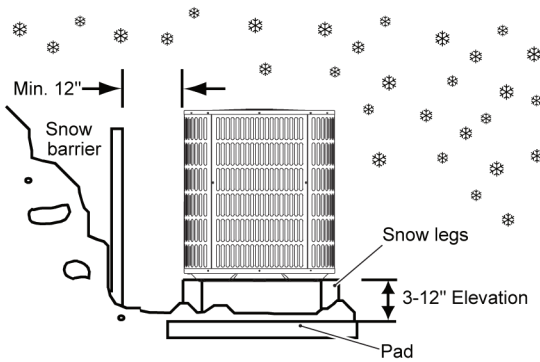


Figure 2-4

## 3 UNIT PREPARATION

### 3.1 Preinstallation

STEP 1 - Check for damage and report promptly to the carrier any damage found to the unit (Fig.3-1).

STEP 2 - Instruments must be designed to install/serve R410A equipments.

- Gauge sets, hoses, refrigerant containers and recovery system must be designed to handle the POE type oils.
- Manifold sets should be 800 PSIG high side and 250 PSIG low side.
- All hoses must have a 700 PSIG service pressure rating.
- Leak detectors should be designed to detect R410A.
- Recovery equipments (including refrigerant recovery containers) must be specifically designed to handle R410A.
- Do not use a R22 TXV.

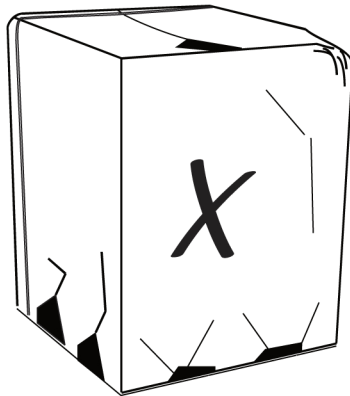


Figure 3-1

## 4 SETTING UP THE UNIT

### 4.1 Pad Installation

When installing the unit on a support pad, such as a concrete slab, consider the following:

- The pad must be at least 1-2" larger than the unit on all sides.
- The pad must be separate from any structure.
- The pad must be level.
- The pad must be high enough above grade to allow for drainage.
- The pad location must comply with National, State and Local codes.

#### NOTE

These instructions are intended to provide a method to tie-down system to concrete slab as a securing procedure for high wind areas. Check Local Codes for tie-down methods and protocols.

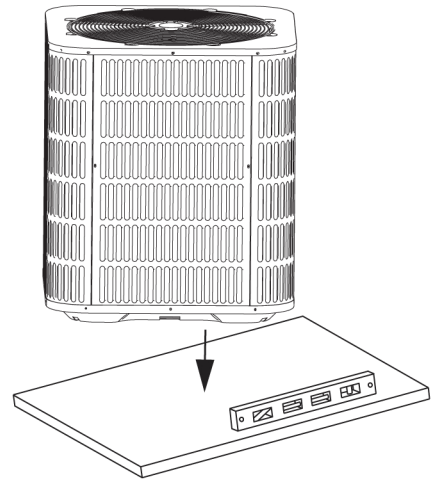


Figure 4-1

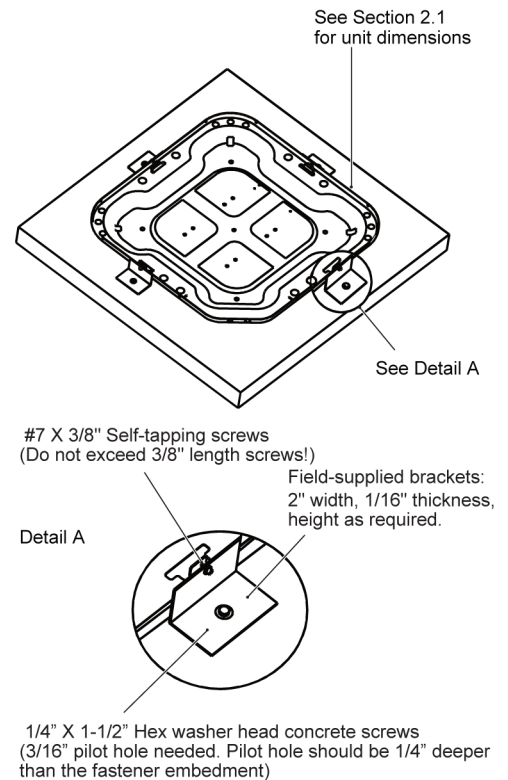


Figure 4-2

## 5 REFRIGERANT LINE CONSIDERATIONS

### 5.1 Service Valve Connection Sizes

Models	Suction line connection	Liquid line connection
18/24/30/36	3/4	3/8
42/48/60/61	7/8	

Table 5-1

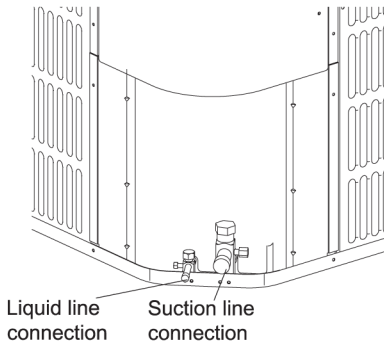


Figure 5-1

### 5.2 Refrigerant Line Sizes

Models	Suction Line		Liquid Line	
	optional	standard	optional	standard
18/24/30/36	5/8	3/4	5/16	3/8
42/48	3/4	7/8	1/2	
60/61	7/8	1-1/8	1/2	

Table 5-2

### 5.3 Refrigerant Piping Limits And Required Refrigerant Line Length

Model	Liquid line (inches)	Total equivalent length(Feet)					
		25	50	75	100	125	150
		Maximum vertical length(Feet)					
18	5/16	25	50	40	30	NA	NA
	3/8	25	50	45	40	NA	NA
24	5/16	25	40	30	20	NA	NA
	3/8	25	50	45	40	NA	NA
30	5/16	25	40	40	30	NA	NA
	3/8	25	50	50	50	NA	NA
36	5/16	25	50	40	30	10	NA
	3/8	25	50	60	60	40	30
42	5/16	25	23	4	N/A	NA	NA
	3/8	25	50	43	36	30	24
48	1/2	25	50	56	55	40	30
	3/8	25	46	38	30	22	15
60/61	1/2	25	50	60	60	40	30
	3/8	25	50	56	44	32	20

Table 5-3

Model	Suction (inches)	Total suction line length			
		25	50	100	150
		Coefficient			
18	5/8	1.00	0.97	0.94	N/A
	3/4	1.00	0.98	0.95	N/A
24	5/8	1.00	0.97	0.94	N/A
	3/4	1.00	0.98	0.95	N/A
30	5/8	1.00	0.97	0.94	N/A
	3/4	1.00	0.98	0.96	N/A
36	5/8	1.00	0.97	0.94	0.90
	3/4	1.00	0.99	0.97	0.96
42	3/4	1.00	0.98	0.95	0.93
	7/8	1.00	0.98	0.97	0.96
48	3/4	1.00	0.98	0.95	0.92
	7/8	1.00	0.98	0.97	0.96
60/61	7/8	1.00	0.98	0.94	0.9
	1 1/8	1.00	0.99	0.98	0.97

Table 5-4 Suction line length/size VS capacity multiplier

#### NOTE

Using suction line larger than shown in chart will result in poor oil return and is not recommended. For example: the system capacity published in AHRI is 17800 Btu/h. This data is based on the AHRI test condition and 25 feet line set with standard suction tube size (3/4" tube). If you need to add the line set more than 25 feet or use the optional suction tube size, you need to recalculate the capacity with the coefficient in the table. For 50 feet line and 5/8" suction tube, the capacity will be  $17800 \times 0.97 = 17266$  Btu/h.

Determine required line length and lift. You will need this later in Section 14.

Total Line Length = \_\_\_\_\_ Feet.

Total vertical Change(Lift) = \_\_\_\_\_ Feet.

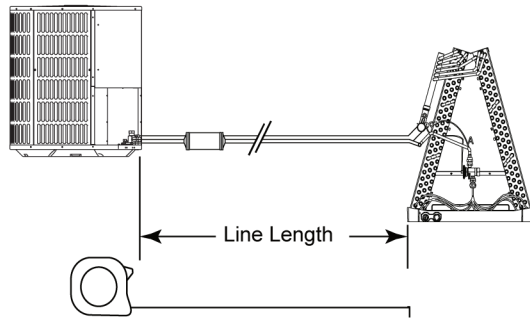


Figure 5-2

### 5.4 Refrigerant Line Insulation

#### NOTE

The suction line must always be insulated. DO NOT allow the Liquid Line and Suction Line to come in direct (metal to metal) contact.



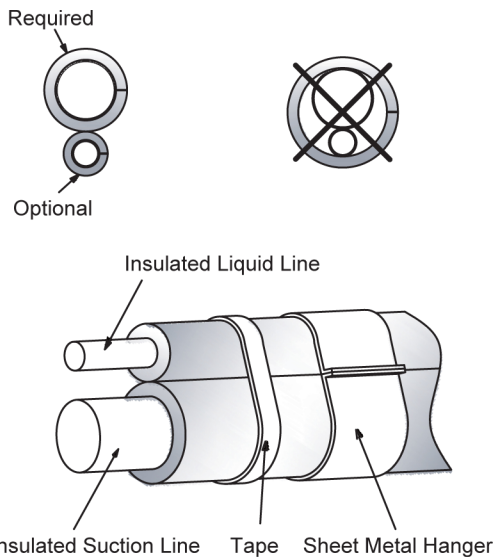


Figure 5-3

## 5.5 Reuse Existing Refrigerant Lines

### CAUTION

If using existing refrigerant lines make certain that all joints are brazed, not soldered.

For retrofit applications, where the existing refrigerant lines will be used, the following precautions should be taken:

- Ensure that the size of the refrigerant lines is correct. Refer to Section 5.2 and Table 5-2.
- Ensure that the refrigerant lines are free of leaks, acid, and oil.

### NOTE

The manufacturer recommends installing only approved matched indoor and outdoor systems. All of the manufacturer's split systems are AHRI certified. Some of the benefits of installing approved matched indoor and outdoor split systems are maximum efficiency, optimum performance and the best overall system reliability.

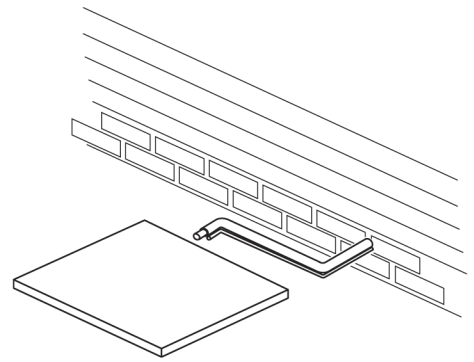


Figure 5-4

## 6 REFRIGERANT LINE ROUTING

### 6.1 Precautions

#### NOTE

Take precautions to prevent noise within the building structure due to vibration transmission from the refrigerant lines. For example:

- When the refrigerant lines have to be fastened to floor joists or other framing in a structure, use isolation type hangers.
- Isolation hangers should also be used when refrigerant lines are run in stud spaces or enclosed ceilings.

Where the refrigerant lines run through a wall or sill, they should be insulated and isolated.

Isolate the lines from all ductwork.

- Minimize the number of 90° turns.
- Use PVC piping as a conduit for all underground installations as shown in Figure 15. Buried lines should be kept as short as possible.

The lines should not obstruct service access to the coil, air handling system or filter.

- Care must also be taken to isolate the refrigerant lines to minimize noise transmission from the equipment to the structure.

Comply with National, State, and Local codes when isolating linesets from joists, rafters, walls, or other structural elements.



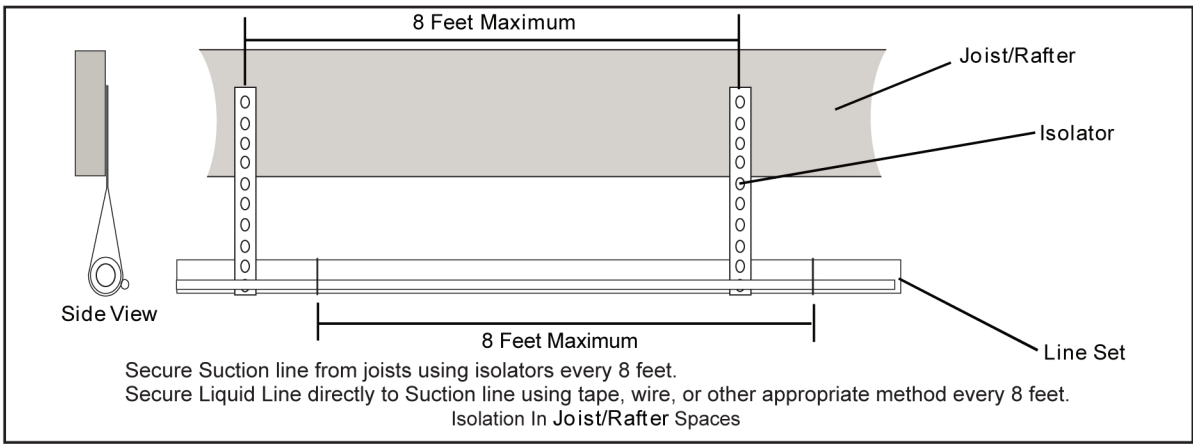


Figure 6-1

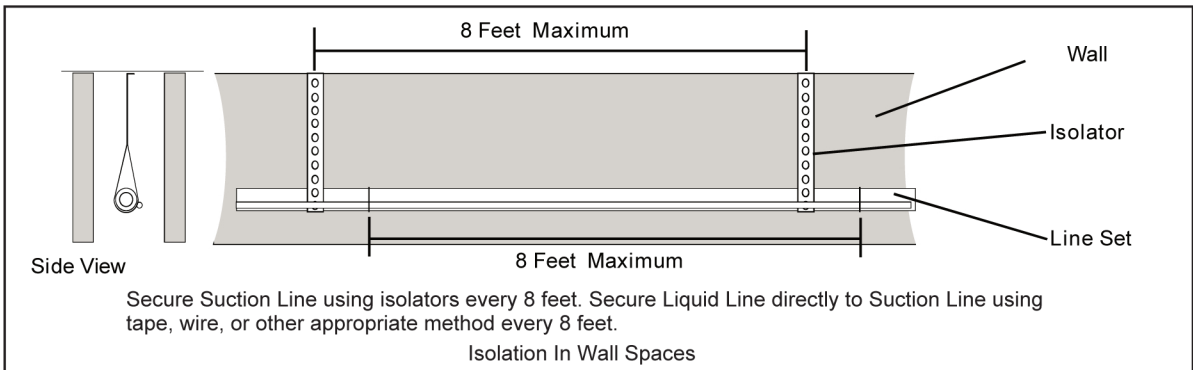


Figure 6-2

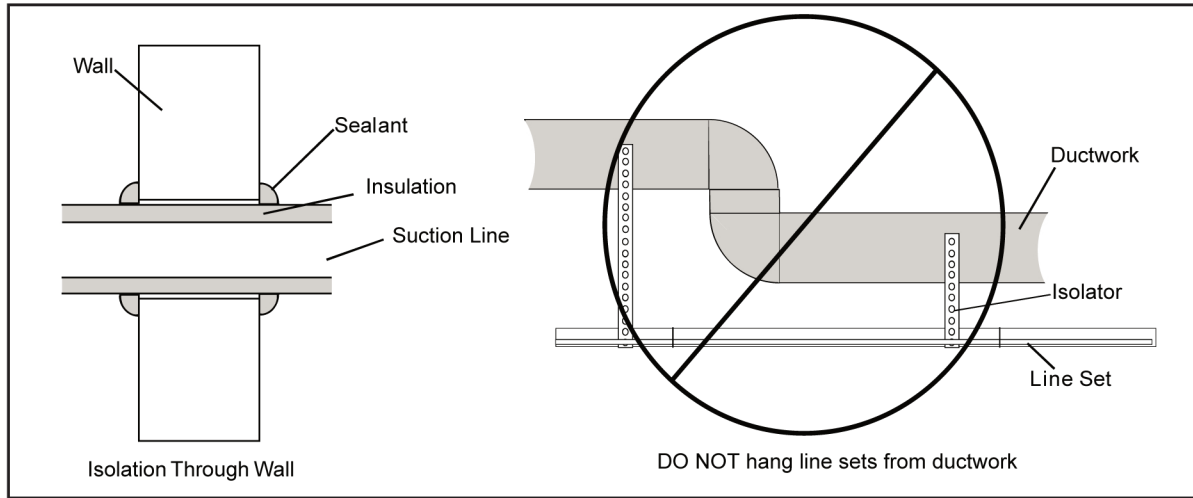


Figure 6-3

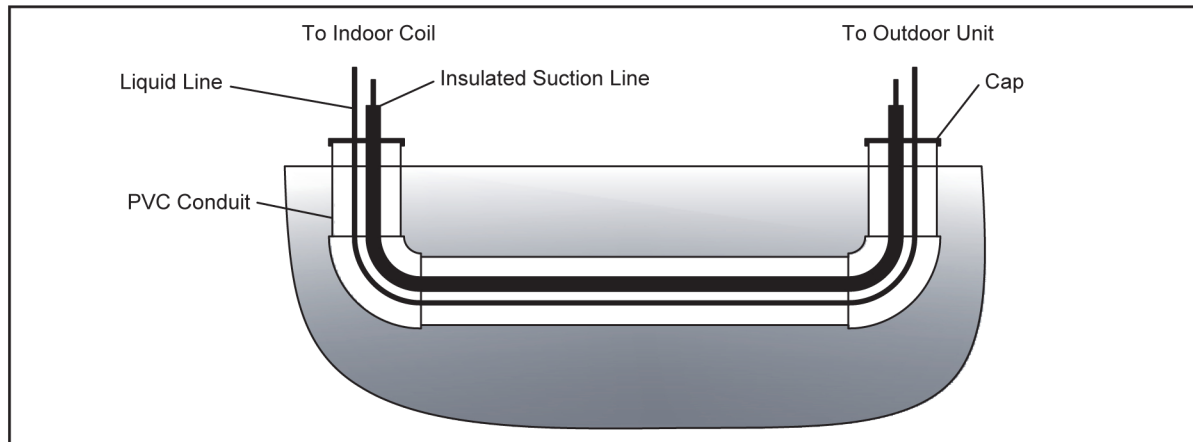


Figure 6-4

## 7 REFRIGERANT LINE BRAZING

### 7.1 Braze The Refrigerant Lines

1. Remove caps or plugs. Use a deburring tool to deburr the pipe ends. Clean both internal and external surfaces of the tubing using an emery cloth.

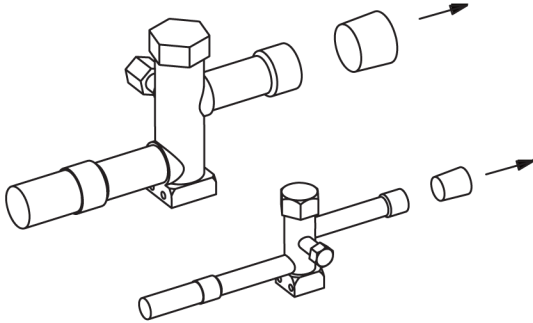


Figure 7-1

2. Remove the pressure tap cap from both service valves.

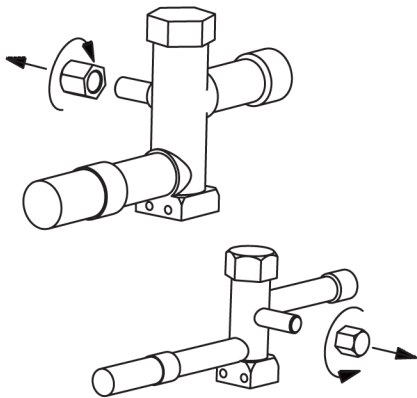


Figure 7-2

3. Purge the refrigerant lines and indoor coil with dry nitrogen.

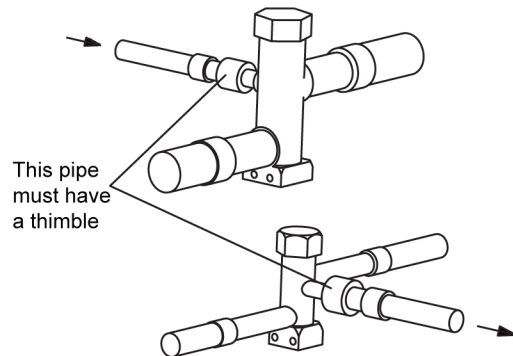


Figure 7-3

4. Wrap a wet rag around the valve body to avoid heat damage and continue the dry nitrogen purge (Fig. 7-4).

Braze the refrigerant lines to the service valves.

Check liquid line filter drier's directional flow arrow to confirm correct direction of refrigeration flow (away from outdoor unit and toward evaporator coil) as illustrated. Brazing the filter drier to the Liquid Line.

Continue the dry nitrogen purge. Do not remove the wet rag until all brazing is completed.

#### NOTE

Remove the wet rag before stopping the dry nitrogen purge.

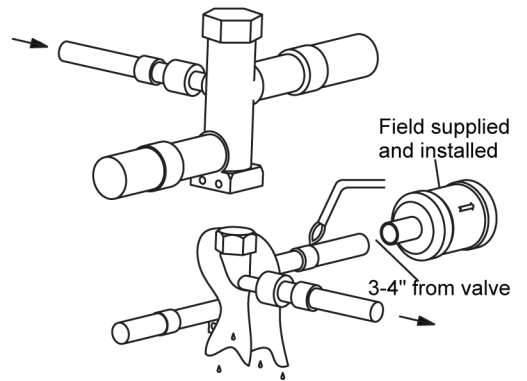


Figure 7-4

5. Replace the pressure tap caps after the service valves have cooled.

#### NOTE

Do not over tighten (between 40 and 60 inch-lbs. maximum).

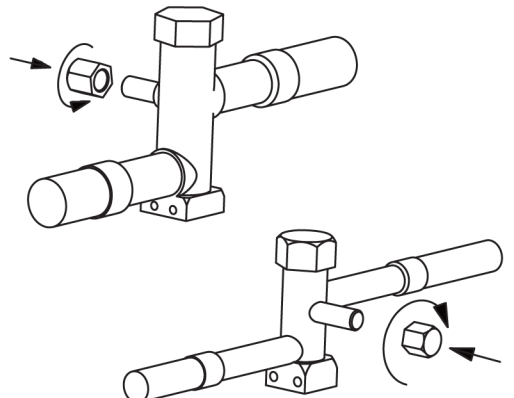


Figure 7-5

## 8 REFRIGERANT LINE LEAK CHECK

### 8.1 Check For Leaks

1. Pressurize the refrigerant lines and evaporator coil to 150 PSIG using dry nitrogen.

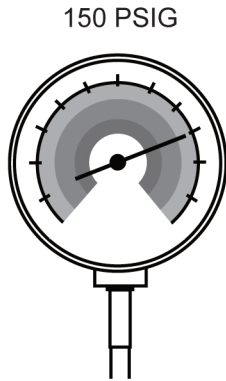


Figure 8-1

2. Check for leaks by using a soapy solution or bubbles at each brazed location.

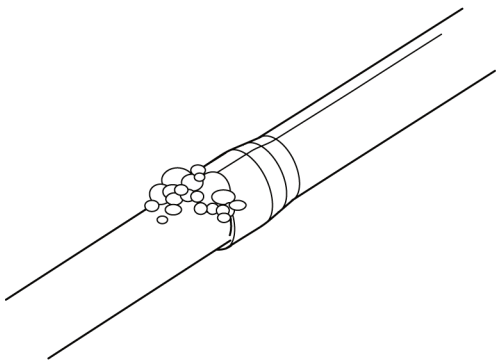


Figure 8-2

Remove nitrogen pressure and repair any leaks before continuing.

## 9 EVACUATION

### 9.1 Evacuate the Refrigerant Lines and Indoor Coil

#### NOTE

Do not open the service valves until the refrigerant lines and indoor coil leak check and evacuation are complete.

1. Evacuate until the micron gauge reads no higher than 350 microns, then close off the valve to the vacuum pump.

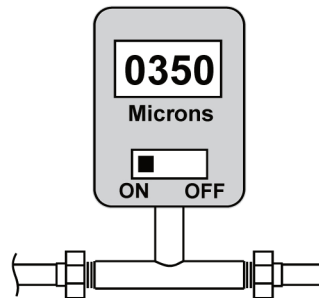


Figure 9-1

2. Observe the micron gauge. Evacuation is complete if the micron gauge does not rise above 500 microns in one (1) minute.

Once evacuation is complete blank off the vacuum pump and micron gauge, and close the valves on the manifold gauge set.



Figure 9-2

## 10 SERVICE VALVES

### 10.1 Open the Service Valves

#### **⚠ WARNING**

Extreme caution should be exercised when opening the Liquid Line Service Valve. Turn counterclockwise until the valve stem just touches the rolled edge. No torque is required. Failure to follow this warning will result in abrupt release of system charge and may result in personal injury and /or property damage.

#### **💡 NOTE**

Leak check and evacuation must be completed before opening the service valves.

1. Remove Service Valve Cap (Fig. 10-1).
2. Fully insert hex wrench into the stem and back out counterclockwise until valve stem just touches the rolled edge.
3. Replace the valve stem cap to prevent leaks. Tighten finger tight plus an additional 1/6 turn.

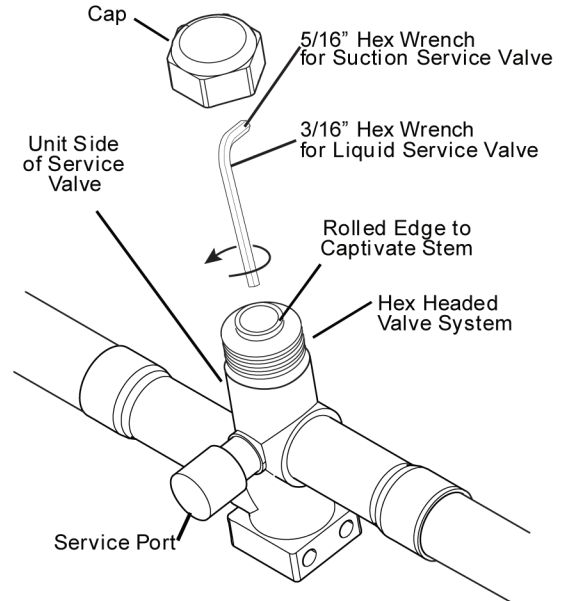


Figure 10-1

## 11 ELECTRICAL - LOW VOLTAGE

### 11.1 Low Voltage Maximum Wire Length

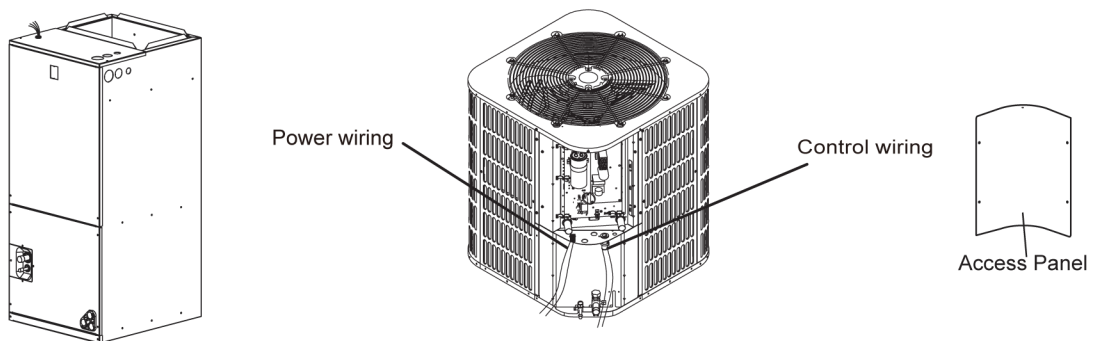
Table 11-1 Defines the maximum total length of low voltage wiring from the outdoor unit to the indoor unit and to the thermostat.

24 Volts - Wire Size	Max. Wire Length
18 AWG	150 Ft.
16 AWG	225 Ft.
14 AWG	300 Ft.

Table 11-1

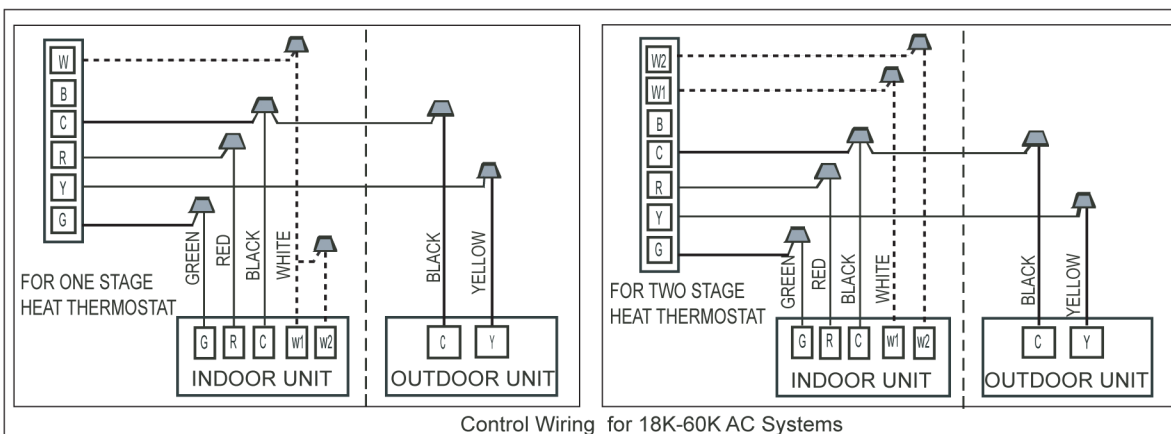
### 11.2 Low Voltage Hook-up Diagrams

Air Handler Hook-up Diagram



Low Voltage connection must be made inside the outdoor unit case.

Figure 11-1



Control Wiring for 18K-60K AC Systems

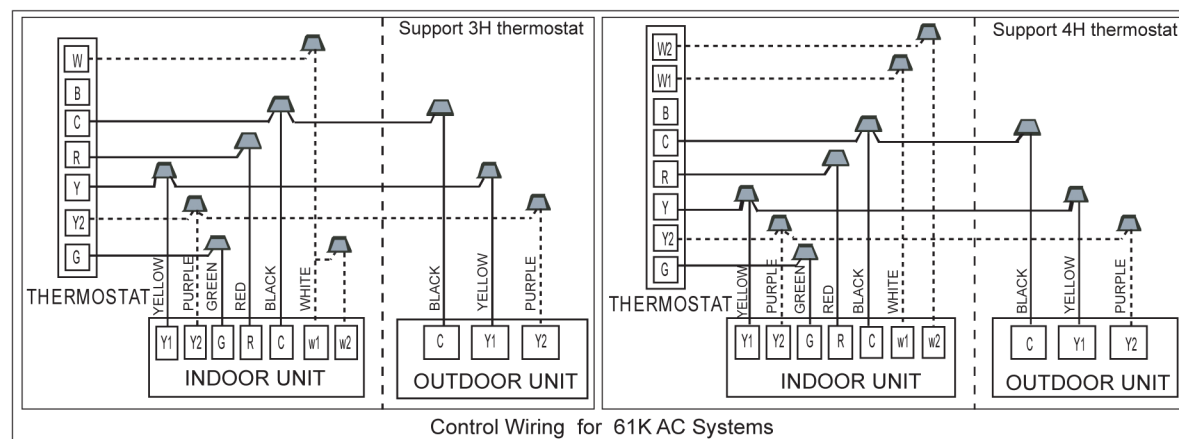
Figure 11-2

Notes: "----" The electric auxiliary heat connection (optional).

W : Electric auxiliary heat signal.

W1 : The first Electric auxiliary heat signal.

W2 : The second Electric auxiliary heat signal.



Control Wiring for 61K AC Systems

Figure 11-3

Notes: "----" The electric auxiliary heat connection (optional).

W : Electric auxiliary heat signal.

W1 : The first Electric auxiliary heat signal.

W2 : The second Electric auxiliary heat signal.

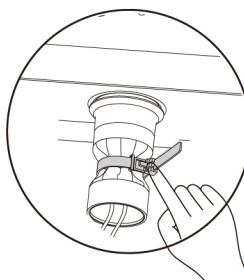
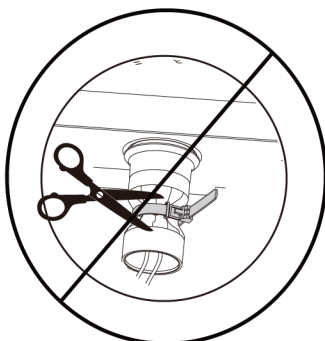
Y2 : The second cooling signal, only for 61K AC system.

Y1 and Y2 of INDOOR UNIT : Only for 61K AC system.

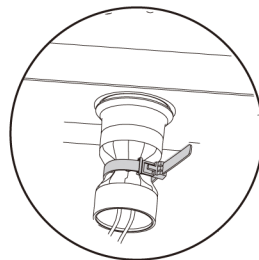
**⚠ WARNING**

Low Voltage line must be connected inside the outdoor unit case through control wiring channel on the right. High Voltage line must be connected through power wiring channel on the left. Mixed channel may result in personal injury.

1. During installation or maintenance, the tie of rubber ring on the electric control box shall not be cut with scissors. It can be untied by pressing the loose buckle. The tightening belt can be reused.



2. After installation or maintenance, the tightening belt shall be tightened, can not be loosened or discarded; the control box access panel must be installed and the screws must be tightened.



## 12 ELECTRICAL - HIGH VOLTAGE

### 12.1 High Voltage Power Supply

#### **⚠ WARNING**

##### **LIVE ELECTRICAL COMPONENTS!**

During installation, testing, servicing, and trouble shooting of this product, it may be necessary to work with live electrical components. Failure to follow all electrical safety precautions when exposed to live electrical components could result in death or serious injury.

The high voltage power supply must agree with the equipment nameplate.

Power wiring must comply with National, State and Local Codes.

Follow instructions on unit wiring diagram located on the inside of the access panel.

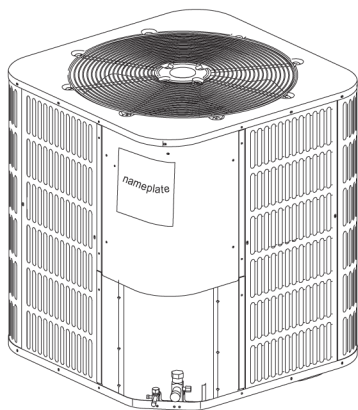


Figure 12-1

### 12.2 High Voltage Disconnect Switch

Install a separate disconnect switch at the outdoor unit.

Field provided flexible electrical conduit must be used for high voltage wiring.

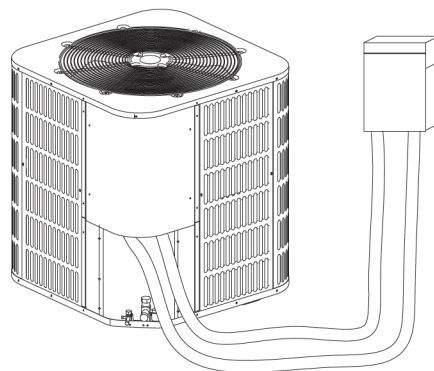


Figure 12-2

### 12.3 High Voltage Ground

Ground the outdoor unit per National, State and Local Code requirements.

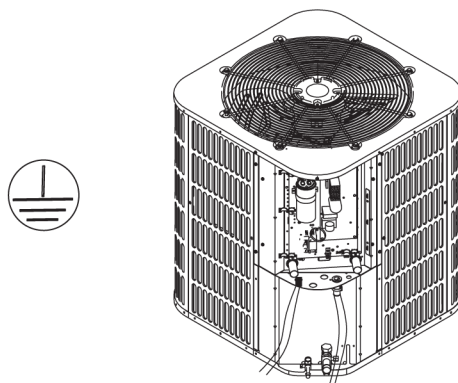


Figure 12-3



## 13 START UP

### 13.1 System Start Up

1. Ensure Sections 7, 8, 9, 10, 11, and 12 have been completed.
2. Set System Thermostat to OFF.

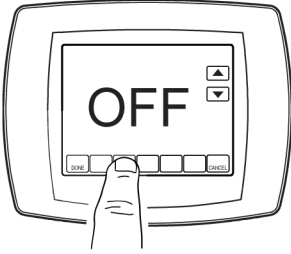


Figure 13-1

3. Turn on disconnect to apply power to the indoor and outdoor units.

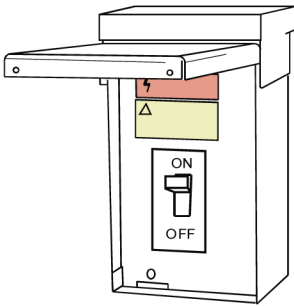


Figure 13-2

4. Wait one (1) hour before starting the unit if compressor crankcase heater is used and the outdoor ambient temperature is below 70 °F.



Figure 13-3

5. Set system thermostat to ON.

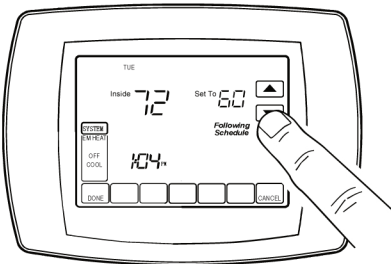


Figure 13-4

## 14 SYSTEM CHARGE ADJUSTMENT

### 14.1 Charging: Weigh-In Method

Weigh-In method can be used for the initial installation, or anytime a system charge is being replaced. Weigh-In Method can also be used when power is not available to the equipment site or operating conditions (indoor/outdoor temperatures) are not in range to verify with the suction line pressure charging method.

Model	Factory Charge	Charge multiplier for liquid line length		
		5/16"	3/8"	1/2"
All models	The data on nameplate	5/16"	3/8"	1/2"
		0.4 oz/ft	0.6 oz/ft	1.2 oz/ft

Table 14-1

#### NOTE

The factory charge in the outdoor unit is sufficient for 15 feet of standard size interconnecting liquid line.

New Installations — Calculating additional charge for lineset greater than 15 feet.

1. Total Line Length (ft) = \_\_\_\_\_ (a)
2. Standard Lineset (ft) = 15 (b)
3. (a) minus (b) = \_\_\_\_\_ (c)
4. Refrigerant Multiplier = \_\_\_\_\_ (d)
5. Refrigerant Adder (c\*d) = \_\_\_\_\_ (e)\*

\*If lineset is less than 15 feet, (e) = 0

Sealed-System Repairs — Calculating total system charge.

1. Total Line Length (ft) = \_\_\_\_\_ (a)
2. Standard Lineset (ft) = 15 (b)
3. (a) minus (b) = \_\_\_\_\_ (c)
4. Refrigerant Multiplier = \_\_\_\_\_ (d)
5. Refrigerant Adder (c\*d) = \_\_\_\_\_ (e)\*
6. Factory Charge (nameplate) = \_\_\_\_\_ (f)
7. Total System Charge (e+f) = \_\_\_\_\_

\*If lineset is less than 15 feet, (e) = 0

#### NOTE

The only mode approved for validating system charge is while in Cooling Mode. Outdoor Temperature must be between 55°F and 115°F with Indoor Temperature kept between 70°F and 80°F.

## 14.2 Suction Line Pressure Charging And Refrigerant Adjustment In Cooling (Above 55°F Outdoor Temp.)

1. Check the outdoor ambient temperatures.

Suction line pressure (in cooling mode) is the only recommended method of charging above 55°F outdoor ambient temperatures.

For outdoor ambient temperatures below 55°F, use weigh-in charge method.

### NOTE

It is important to return in the spring or summer to accurately charge the system in the cooling mode when outdoor ambient temperature is above 55°F.

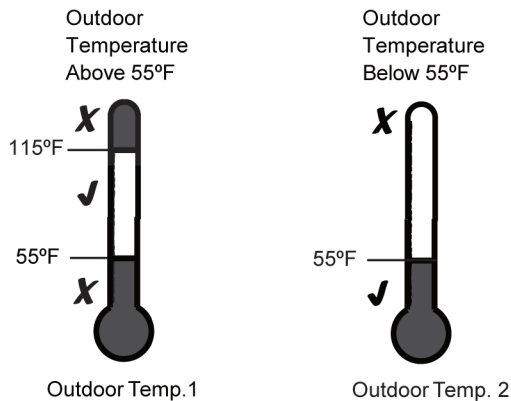


Figure 14-1

For best results the indoor temperature should be kept between 70°F to 80°F.

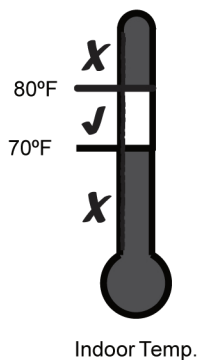


Figure 14-2

2. Ensure Sections 7, 8, 9, 10, 11, 12 and 13 have been completed.
3. Stabilize the system by operating for a minimum of 20 minutes.

### NOTE

At startup, or whenever charge is removed or added, the system must be operated for a minimum of 20 minutes to stabilize before accurate measurements can be made.



Figure 14-3

- ▶ Measured Suction Line Pressure = \_\_\_\_\_ PSIG
- ▶ Outdoor Ambient Temperature = \_\_\_\_\_ °F
- ▶ Indoor Ambient Temperature = \_\_\_\_\_ °F
- ▶ Calculate Liquid Line Pressure = \_\_\_\_\_ PSIG
- ▶ Measured Suction Line Temperature = \_\_\_\_\_ °F

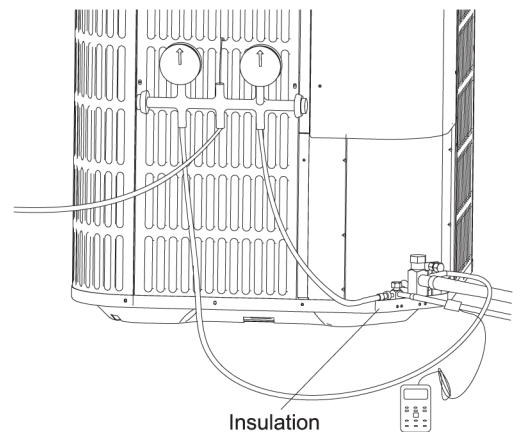


Figure 14-4

**Design superheat with TXV throttle**

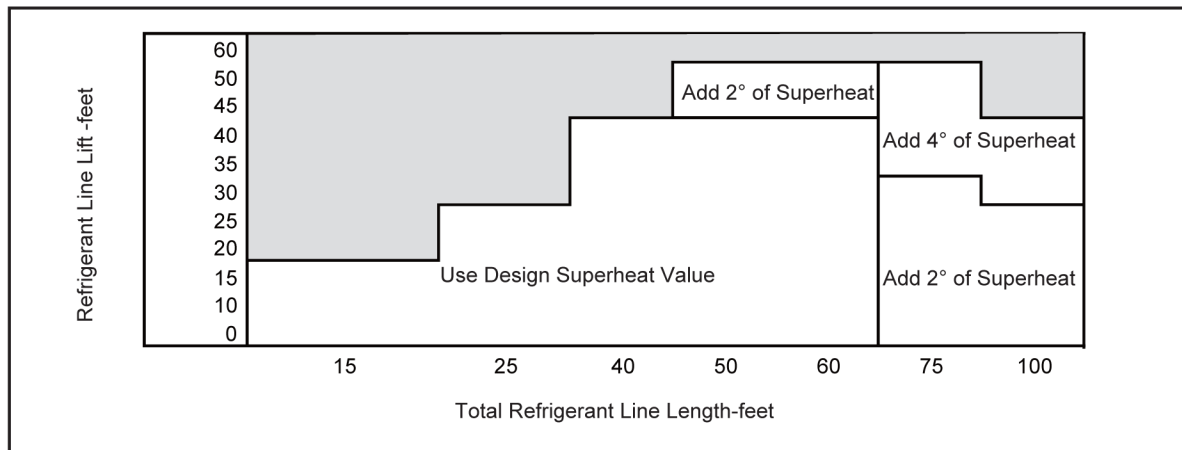
Outdoor DB (°F)	Indoor Unit Inlet DB/WB (°F)					
	95/79	90/75	85/71	80/67	75/63	70/58
115	13	12	11	11	10	9
110	13	11	10	10	10	9
105	12	11	10	10	9	8
100	11	10	10	10	9	8
95	11	10	10	9	8	8
90	11	10	10	9	8	8
85	12	10	9	9	8	8
80	13	11	9	9	8	8
75	14	12	9	8	7	5
70	10	9	8	6	5	5
65	7	6	6	6	5	5
60	6	5	5	5	5	5
55	6	5	5	5	5	5

**Design superheat with piston throttle**

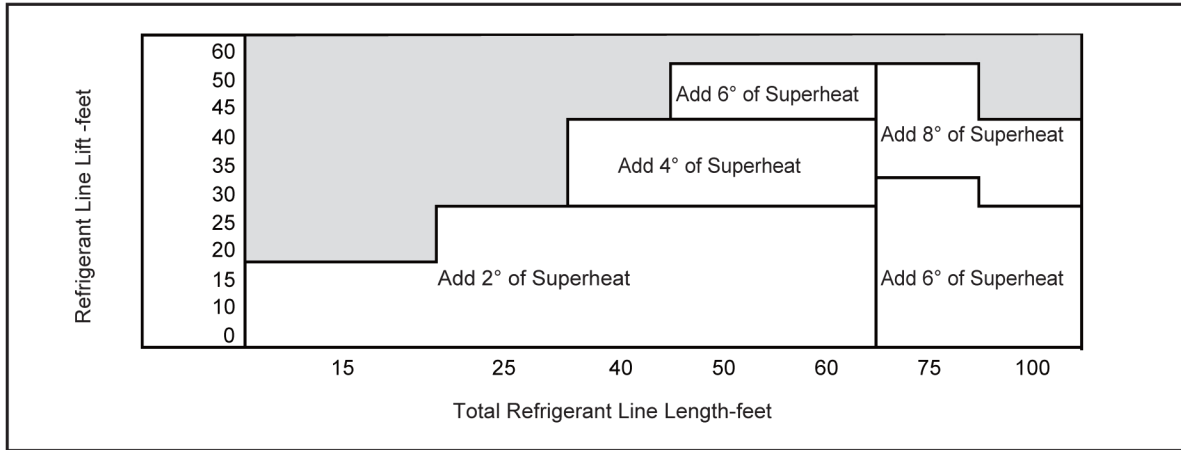
Outdoor DB (°F)	Indoor Unit Inlet DB/WB (°F)					
	95/79	90/75	85/71	80/67	75/63	70/58
115	16	11	6	5	5	5
110	18	13	8	5	5	5
105	20	15	10	5	5	5
100	23	17	13	7	5	5
95	25	20	15	9	5	5
90	27	22	17	12	5	5
85	29	24	19	14	8	5
80	25	20	16	11	7	5
75	22	18	14	9	5	5
70	22	18	13	8	5	5
65	21	17	13	8	5	5
60	20	16	12	7	5	5
55	19	15	11	5	5	5

Determine the final superheat value using total Line Length and Lift measured in 5.3 and the charts below

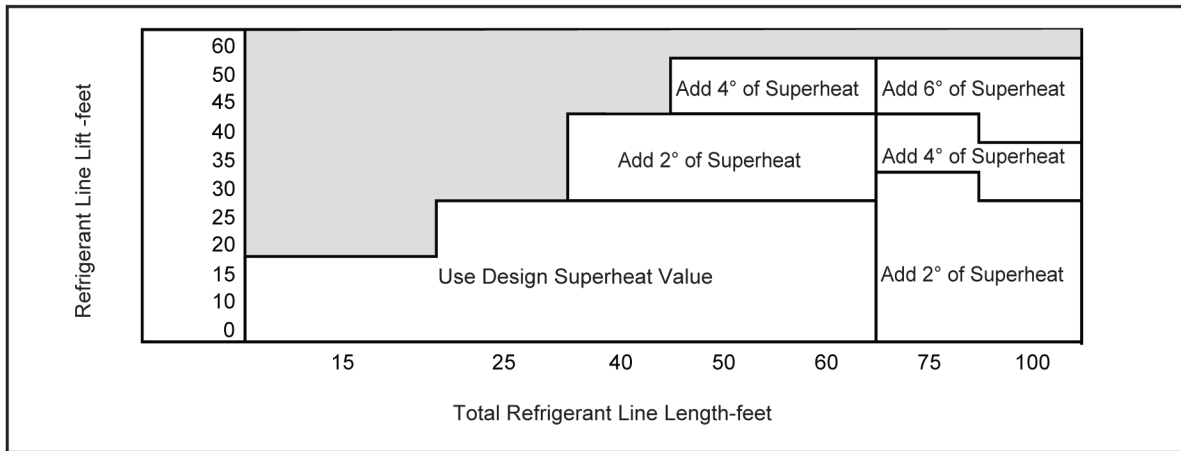
18K AC with TXV



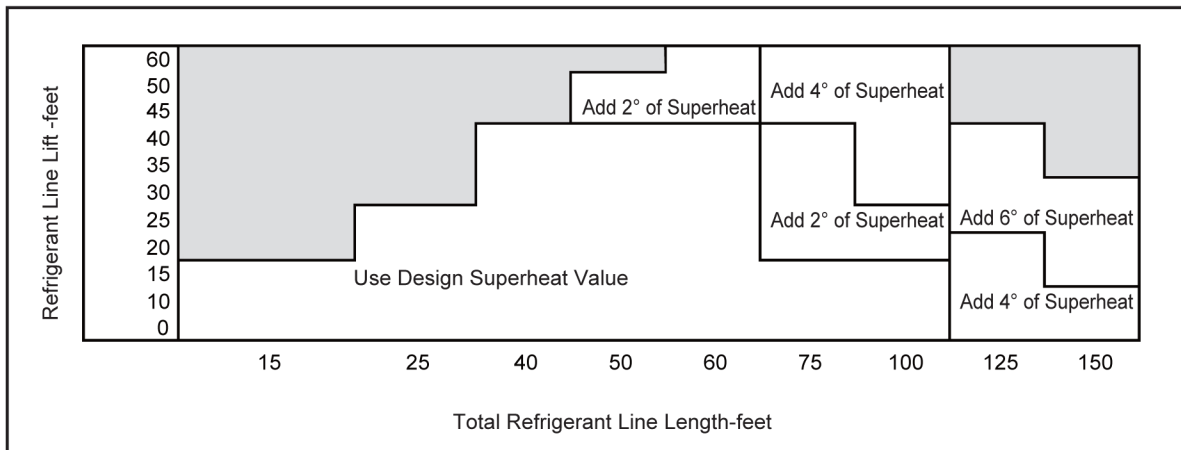
24K AC with Orifice



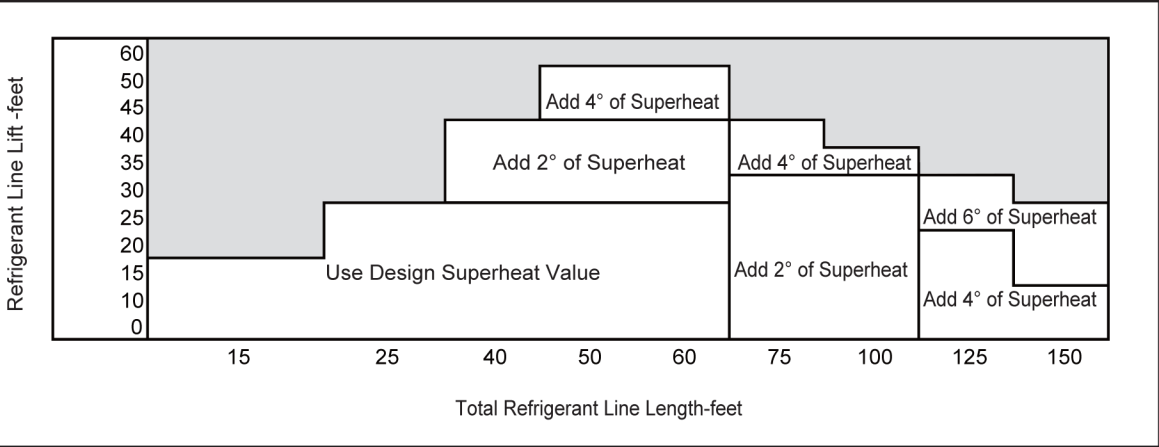
30K AC with Orifice



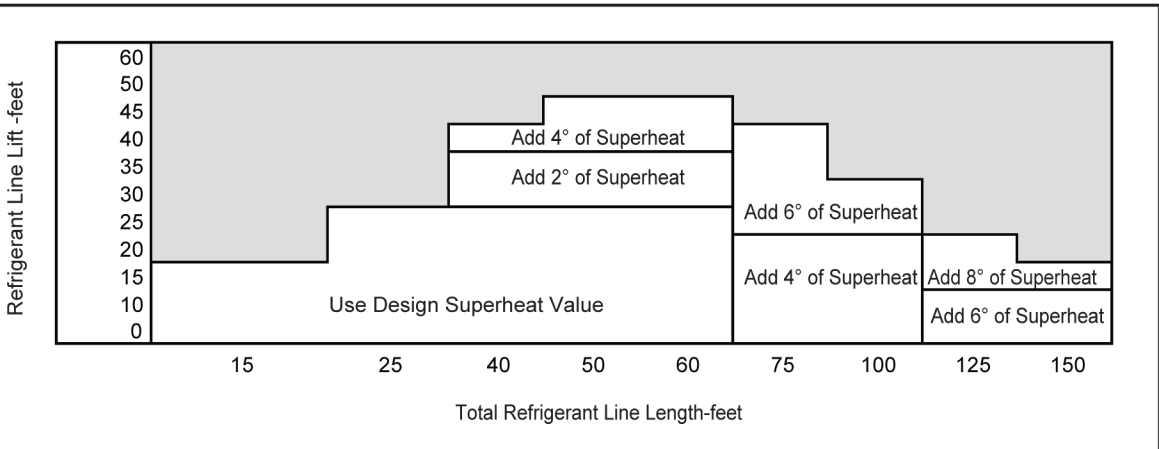
36K AC with TXV



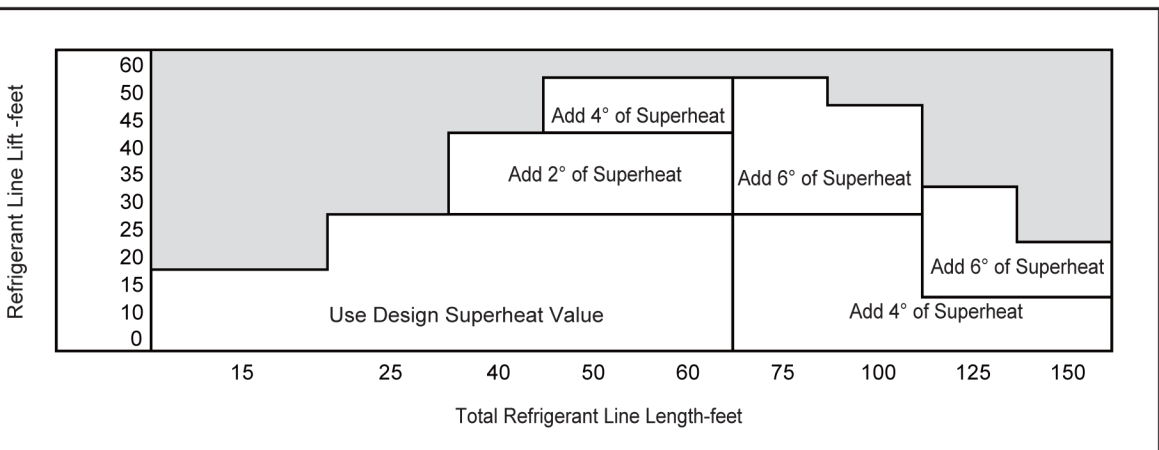
42K AC with TXV



48K AC with Orifice



60K/61K AC with TXV



- Use the final superheat value, refrigerant temperature and pressure from STEP 4, to determine the proper suction gauge pressure using Table 14-1.

Example: Assume a 12° F final superheat value and suction temp of 58° F.

- Locate 12° F final Superheat in Table 14-1.
- Locate the Suction Temperature (58° F) in the left column.
- The Suction Gauge Pressure should be approximately 133 PSIG. (This is shown as the intersection of the Final Superheat column and the Suction Temperature row.

Design Superheat Value = \_\_\_\_\_ °F

Superheat Correction = \_\_\_\_\_ °F

Final Superheat Value = \_\_\_\_\_ °F

Suction Temp (°F)	Final Superheat (°F)							
	6	8	10	12	14	16	18	
40	105	101	97	93	89	86	82	
42	109	105	101	97	93	89	86	
44	114	109	105	101	97	93	89	
46	118	114	109	105	101	97	93	
48	123	118	114	109	105	101	97	
50	128	123	118	114	109	105	101	
52	133	128	123	118	114	109	105	
54	138	133	128	123	118	114	109	
56	143	138	133	128	123	118	114	
58	148	143	138	133	128	123	118	
60	153	148	143	138	133	128	123	
62	159	153	148	143	138	133	128	
64	164	159	153	148	143	138	133	
66	170	164	159	153	148	143	138	
68	176	170	164	159	153	148	143	
70	182	176	170	164	159	153	148	
72	188	182	176	170	164	159	153	

Table 14-1

- Adjust refrigerant level to attain proper final superheat.

**NOTE**

**Add refrigerant** if the measured superheat is higher than the final superheat value.

- Connect gages to refrigerant bottle and unit as illustrated (Fig. 14-5).
- Purge all hoses.
- Open bottle.
- Stop adding refrigerant when gas line pressure matches the Refrigerant Charging Chart.

**NOTE**

**Recover refrigerant** if the measured superheat is lower than the final superheat value.

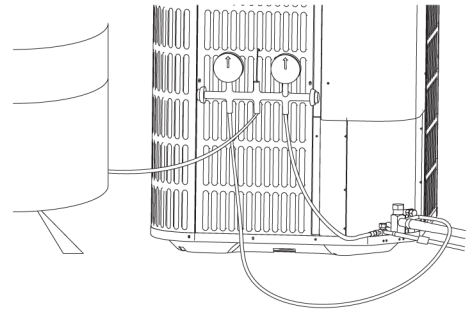


Figure 14-5

- Stabilize the system.

- Wait 20 minutes for the system condition to stabilize between adjustments.

**NOTE**

When the liquid line pressure match the chart, the system is properly charged.

- Remove gages.
- Replace service port caps to prevent leaks. Tighten finger tight plus an additional 1/6 turn.



Figure 14-6

- Record system Information for reference Table 14-2.

Record system pressures and temperatures after charging is complete.

Description	Value
Outdoor model number	
Measured Outdoor Ambient	°F
Measured Indoor Ambient	°F
Liquid Gage Pressure	PSIG
Suction Gage Pressure	PSIG
Suction Line Temperature	°F

Table 14-2



# 15 SYSTEM OPERATION AND TROUBLESHOOTING

## 15.1 Protection Function

Discharge temperature protection  
 Discharge temperature > 239°F, compressor stops working.

Discharge temperature < 167°F, compressor restarts working.

For 18K-30K

High pressure protection  
 High pressure > 609 PSIG, compressor and outdoor fan motor stop working.

High pressure < 464 PSIG, compressor and outdoor fan motor restart working (3 minutes delay necessary).

For 36-61K

High pressure protection  
 High pressure > 638 PSIG, compressor and outdoor fan motor stop working.

High pressure < 464 PSIG, compressor and outdoor fan motor restart working (3 minutes delay necessary).

For All System

T4 = Ambient Temperature

T4 < 32°F, compressor can't start

T4 ≥ 41°F, compressor restarts working

## 15.2 Two-stage Compressor (61K AC only)

The 61K AC Systems feature a Two-stage scroll compressor which is controlled by Y1 and Y2.

- Y1: 24VAC thermostat input for first stage operation of the unit.
- Y2: 24VAC thermostat input/output for second stage operation of the unit.

If the control receives a call for second-stage compressor operation Y2 in heating or cooling mode and the first-stage compressor output is active, the second-stage compressor solenoid output will be energized by the unit control system operation function.

The unit control de-energizes the second-stage compressor solenoid output immediately when the Y2 signal is removed or the first-stage compressor output is de-energized for any reason.

## 15.3 Temperature Sensor Resistance Table

Temperature °F	Resistance kΩ	Temperature °F	Resistance kΩ	Temperature °F	Resistance kΩ	Temperature °F	Resistance kΩ
-4	106.73	37	29.87	78	10	119	3.69
-3	103.25	38	29.22	79	9.5	120	3.61
-2	99.89	39	28.19	80	9.26	121	3.53
-1	96.65	40	27.39	81	9.03	122	3.45
0	93.53	41	26.61	82	8.81	123	3.38
1	90.53	42	25.85	83	8.59	124	3.3
2	87.62	43	25.12	84	8.38	125	3.23
3	84.83	44	24.42	85	8.17	126	3.16
4	82.13	45	23.73	86	7.97	127	3.1
5	79.52	46	23.07	87	7.78	128	3.03
6	77.01	47	22.42	88	7.59	129	2.96
7	74.58	48	21.8	89	7.4	130	2.9
8	72.24	49	21.2	90	7.22	131	2.84
9	69.98	50	20.61	91	7.05	132	2.78
10	67.8	51	20.04	92	6.88	133	2.72
11	65.69	52	19.49	93	6.72	134	2.67
12	63.65	53	18.96	94	6.56	135	2.61
13	61.68	54	18.44	95	6.4	136	2.56
14	59.78	55	17.94	96	6.25	137	2.5
15	57.95	56	17.45	97	6.1	138	2.45
16	56.17	57	16.98	98	5.96	139	2.4
17	54.46	58	16.52	99	5.82	140	2.35
18	52.8	59	16.08	100	5.68	141	2.3
19	51.2	60	15.65	101	5.55	142	2.25
20	49.65	61	15.23	102	5.42	143	2.21
21	48.16	62	14.83	103	5.3	144	2.16
22	46.71	63	14.43	104	5.18	145	2.12
23	45.31	64	14.05	105	5.06	146	2.08
24	43.95	65	13.68	106	4.94	147	2.03
25	42.64	66	13.32	107	4.83	148	1.99
26	41.38	67	12.97	108	4.72	149	1.95
27	40.15	68	12.64	109	4.61	150	1.91
28	38.97	69	12.31	110	4.51	151	1.88
29	37.82	70	11.99	111	4.41	152	1.84
30	36.71	71	11.68	112	4.31	153	1.8
31	35.64	72	11.38	113	4.21	154	1.77
32	34.6	73	11.09	114	4.12	155	1.73
33	33.59	74	10.8	115	4.03	156	1.7
34	32.61	75	10.53	116	3.94	157	1.66
35	31.67	76	10	117	3.85	158	1.63
36	30.76	77	10	118	3.77	159	1.6

Table 15-1

## 15.4 Electrical Data Table

Model	18	24	30	36	42	48	60	61
Minimum circuit ampacity (A)	11.6	14.7	15.8	21	24.9	25.3	35.1	38.9
Maximum circuit Protector (A)	15	20	25	35	45	45	60	60

## 15.5 Troubleshooting Table

SYSTEM FAULTS		WHAT TO CHECK	HIGH VOLTAGE WIRING	POWER SUPPLY	COMPRESSOR CAPACITOR	I.D. CONTROL DEF.	O.D. FAN CAPACITOR	I.D. BLOWER CAPACITOR	CONTACTOR CONTACTS	LOW VOLTAGE WIRING	CONTROL TRANSFORMER	CONTACTOR COIL	LOW VOLTAGE FUSE	STUCK COMPRESSOR	INEFFICIENT COMP.	REF. UNDERCHARGE	REF. OVERCHARGE	EXCESSIVE EVAP. LOAD	NONCONDENSABLES	O.D. AIR RECIRCULATION	RES. O.D. AIRFLOW	TXV STUCK OPEN	REF. CIR. RESTRICTION	RES. I.D. AIRFLOW	SUPERHEAT	SOIL/COIL DEFECTIVE	CHECK VALVE LEAKING	L.P.C. SENSOR DEF.	T4 TEMP. SENSOR DEF.	T3 TEMP. SENSOR DEF.	HPC/IGS SENSOR DEF.		
		TO CHECK MODE																															
REFRIGERANT CIRCUIT																																	
Head Pressure Too High	C																P	P	S	P	S					S							
	H																P	P	S						P	S							
Head Pressure Too Low	C														S	P					S	S		S	S	S	S	P					
	H														S	P					S	S		S	S	S	S	P					
Suction Pressure Too High	C														S	P	P						S			P	P						
	H														S								S			P							
Suction Pressure Too Low	C														P							S	S	S	P	S							
	H														P							S	S	S	S	S							
Liquid Refrig. Floodback (TXV)	C																						P					P					
	H																						P					P					
I.D. Coil Frosting	C															P					S	S											
	H																																
Compressor Runs Inadequate or No Cooling/Heating	C														S	P		S	S				S	P	S	S	S						
	H														S	P		S					S	P	S	S	S						
ELECTRICAL																																	
Compressor & O.D. Fan Won't Start	C	P	P					S	S	P	S	P	P																				
	H	P	P					S	P	S		P																	S	S	S	S	S
Compressor Will Not Start But O.D. Fan Runs	C		P																														
	H		P	P			S					P	P																S	S			
O.D. Fan Won't Start	C		P			P																											
	H		P			P																								S			
Compressor Hums But Won't Start	C			P			S																										
	H			P			S																										
I.D. Blower Won't Start	C	P	P	S			P	S	P	S		S																					
	H	P	P	S			P	S	P	S		S																					
DEFROST																																	
Unit Won't Initiate Defrost	C																																
	H																											P		P	S		
Defrost Terminates on Time	C																																
	H															P														P	S		
Unit Icing Up	C																																
	H															P				S	S		S		P		P						

C - Cooling H - Heating P - Primary Causes S - Secondary Causes

## 15.6 Fault Code Table

### 15.6.1 For 18K-60K AC System

Fault code of motor driver module

LED1 ERROR CODE		CONTENT
	STEADY ON	NORMAL OPERATION
	OFF	POWER SUPPLY FAILURE
	KEEP FLASHING	2s ON 2s OFF 0.2s ON 0.2s OFF
		STANDBY
	1FLASH/CYCLE	INTER INTEGRATED CIRCUIT COMMUNICATION ERROR
	2FLASH/CYCLE	MOTOR CURRENT ERROR
	3FLASH/CYCLE	INVERTER MODULE TEMPERATURE ERROR
	4FLASH/CYCLE	DC BUS VOLTAGE ERROR
	5FLASH/CYCLE	MOTOR PARAMETER ERROR
	6FLASH/CYCLE	MOTOR STARTUP FAILURE
	6FLASH/CYCLE	PHASE SEQUENCE ERROR

Fault code of main control module

LED2 ERROR CODE		CONTENT
	STEADY ON	NORMAL OPERATION
	OFF	POWER SUPPLY FAILURE
	1FLASH/CYCLE	T3 SENSOR FAILURE
	2FLASH/CYCLE	T4 SENSOR FAILURE
	3FLASH/CYCLE	LPC OPEN
	5FLASH/CYCLE	OFM FAILURE
	6FLASH/CYCLE	NO MACHINE TYPE

### 15.6.2 For 61K AC System

	STEADY ON	NORMAL OPERATION
	OFF	TDC FAILURE
	5FLASH	OFM FAILURE

## 16 WARRANTY

Assist owner with processing Warranty cards and/or online registration.

### 16.1 Maintenance

Dirt should not be allowed to accumulate on the indoor or outdoor coils or other parts in the air circuit. Clean as often as necessary to keep the unit clean. Use a brush, vacuum cleaner attachment or other suitable means.

The outdoor fan motor is permanently lubricated and does not require periodic oiling.

Refer to the furnace or air handler instructions for filter and blower motor maintenance.

The indoor coil and drain pan should be inspected and cleaned regularly to assure proper drainage.

#### NOTE

It is unlawful to knowingly vent, release or discharge refrigerant into the open air during repair, service, maintenance or the final disposal of this unit. When the system is functioning properly and the owner has been fully instructed, secure the owner's approval.

### 16.2 Removing and Installing The Cover Plate

1. Before removing the cover plate of the electronic control box, please be noted the screws 1 - 7 must be removed first.

2. When install back the cover plate of the electric control box, please be noted the screws 1 and 3 must be installed at the last step to facilitate assembly and avoid damage the waterproof sponge .

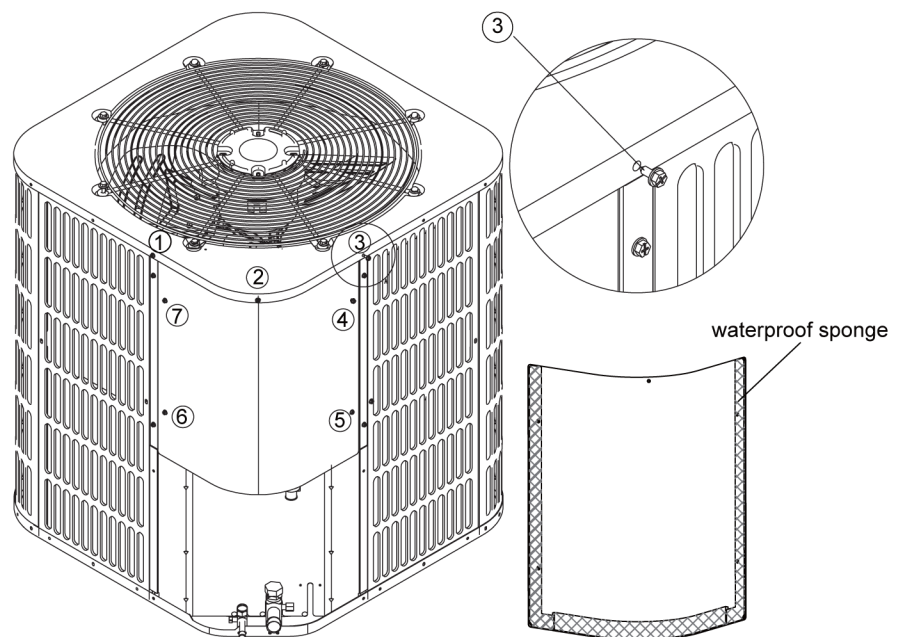


Figure 16-1

## 16.3 Changing Motor

When motor requires changing, follow the steps below:

STEP 1 - Go into electrical panel, disconnect motor power lines.

**Note:** Disconnect main power to unit. Severe burns and electrical shock will occur if you do not disconnect main power.

STEP 2 - Remove cover (be careful of motor wires).

STEP 3 - Be sure to place fan cover unit on the ground (Fig.16-2).

**Note:** Do not place or lean fan blades on ground or against surface.

STEP 4 - Remove fan motor by removing 5/16" nuts from cover.

STEP 5 - Remove fan blade from motor by removing 1/2" nut and place fan on the ground.

STEP 6 - Reverse removal process to reinstall the fan and motor.

**Note:** When connecting motor wires be sure to check motor direction.

### NOTE

Damage will occur to condenser unit if you remove 5/16" nuts prior to cover removal.

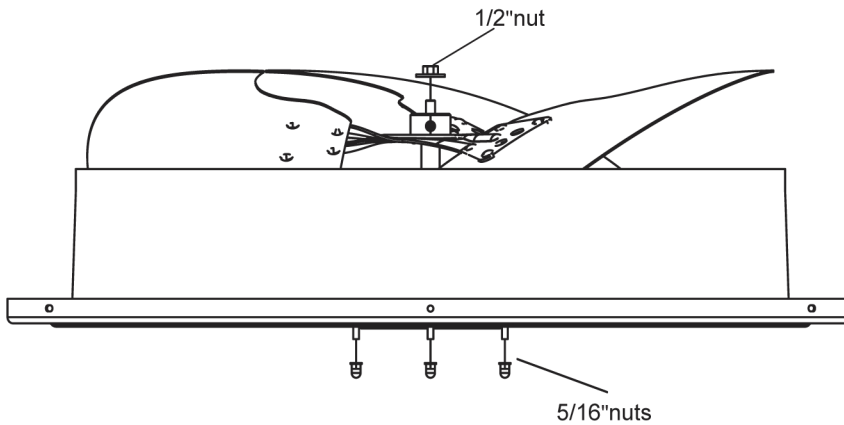


Figure 16-2

## 17 MATCHING TABLE AND CHECKOUT PROCEDURES

### 17.1 Operational and Checkout Procedures

Final phases of this installation are the unit Operational and Checkout Procedures. To obtain proper performance, all units must be operated and charge adjustments made in accordance with procedures found in the Service Facts of the Outdoor Unit.

After installation has been completed, it is recommended that the entire system be checked against the following list:

1. Be sure unit suspension (if used) is secure and that there are no tools or loose debris in or around or on top of the unit... [ ]
2. Properly insulate suction lines and fittings ..... [ ]
3. Properly secure and isolate all refrigerant lines ..... [ ]
4. Verify that all electrical connections are tight ..... [ ]
5. Check all duct outlets; they must be open and unrestricted ..... [ ]
6. Check drain lines and be sure all joints are tight..... [ ]
7. Be sure that a return air filter is installed ..... [ ]
8. Operate complete system in each mode to verify proper performance. Verify operation of supplementary electric heater.. [ ]